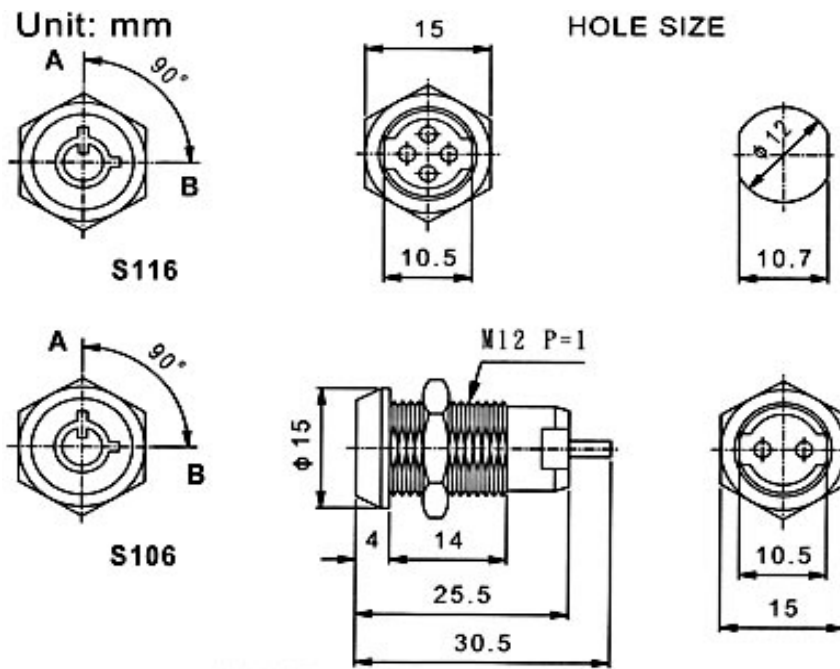


MICRO SWITCH LOCK



DESCRIPTION:

- Zinc alloy die cast housing and cylinder.
- Bright chrome plated standard.
- 4 pin tumbler mechanism.
- Zinc alloy tubular keys, chrome plated.
- Key may be withdrawn in one or both positions.
- Silver plated contacts and terminals.
- S106 2 position (off-on) 2 terminals.
- S116 2 position (on-on) 4 terminals.
- S106M 2 position (off-on) 2 terminals, spring loaded for momentary contact.
- Hex nut mounted.
- All keyed alike or one combination per 100pcs standard.
- 200 combinations available.

KEY-PULL FIGURES :

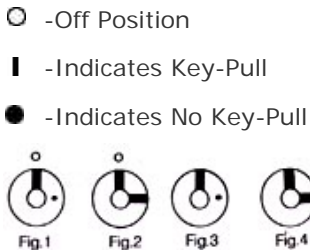


Fig. No.	Lock Number	Pole	Positions	Terminals	Key Pulls	Turn	⊕	⊖	Type
1	S106-1	1	2	2	1	90 °	Off	On	SPST
2	S106-2	1	2	2	2	90 °	Off	On	SPST
3	S116-1	1	2	4	1	90 °	On	On	SPDT
4	S116-2	1	2	4	2	90 °	On	On	SPDT

1	S116M	1	2	2	1	90 °	Off	On	SPDT
---	-------	---	---	---	---	------	-----	----	------