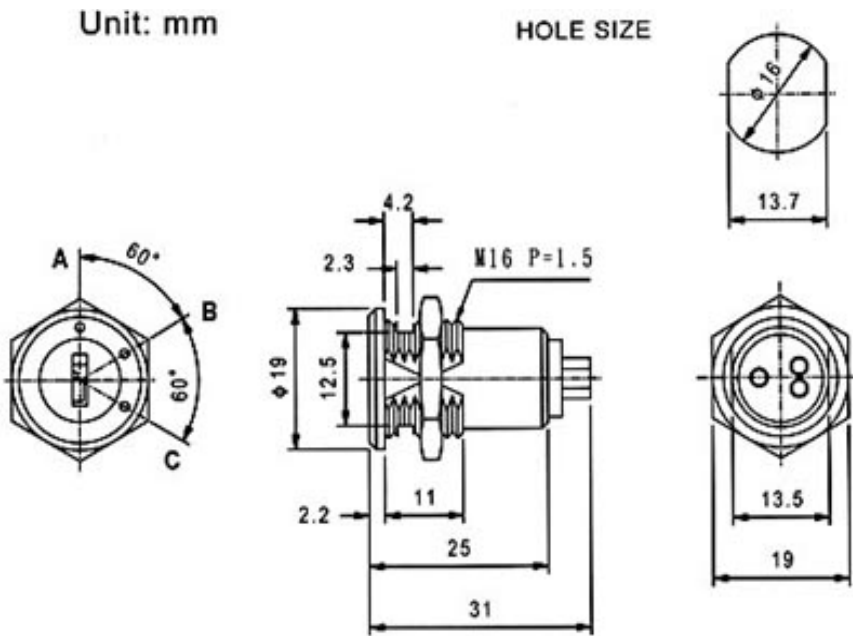


S331 S332 S333

MID-SIZE SWITCH LOCK



DESCRIPTION:

- Zinc alloy die cast housing and plastic cylinder.
- Bright chrome plated standard.
- 3 disc tumbler mechanism.
- Brass keys, nickel plated, with plastic cover.
- Key may be withdrawn in one or both or three positions.
- Silver plated contacts and terminals.
- S331 2 position (on-on) 60 index 3 terminals.
- S332 2 position (off-on) 60 index 2 terminals.
- S333 3 position (off-on-on) 60 index 3 terminals.
- Hex nut or speed clip mounted.
- 16 combinations available.

KEY-PULL FIGURES :

- -Off Position
- -Indicates Key-Pull
- -Indicates No Key-Pull



Fig. No.	Lock Number	Pole	Positions	Terminals	Key Pulls	Turn	⬆	⬇	⬅	Type
1	S331	1	2	3	2	60 °	On	On		SPDT
2	S332	1	2	2	2	60 °	Off	On		SPST
3	S333	1	3	3	3	120 °	Off	On	On	SPDT